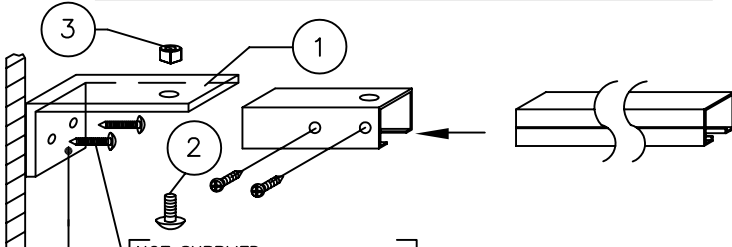




DETAIL / PARTS LIST

WALL FLANGE CAT 2243

PARTS LIST			
ITEM	DESCRIPTION	QTY	P/N
1	ALUMINUM BRACKET	1	ALM-1025
2	BOLT	1	SCR-1288
3	ESNA NUT	1	SCR-1289

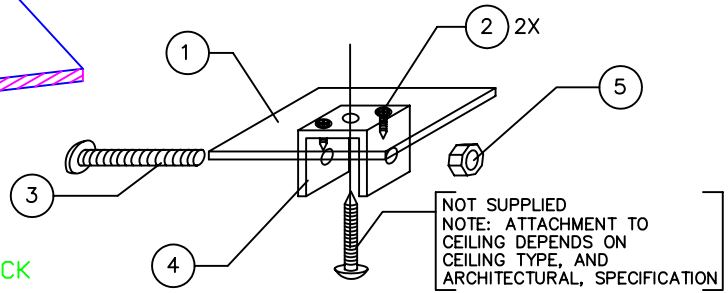


NOT SUPPLIED
NOTE: ATTACHMENT TO WALL DEPENDS ON WALL TYPE, AND ARCHITECTURAL, SPECIFICATION

SUSPENDED SUPPORT SYSTEM CAT 2251, 2250, 2249

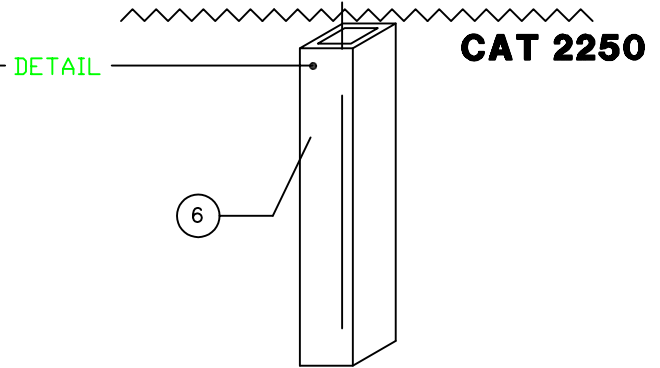
PARTS LIST			
ITEM	DESCRIPTION	QTY	P/N
CAT 2251			
1	ALUMINUM PLATE	1	ALM-1024
2	SCREW	2	SCR-1378
3	SCREW	1	SCR-1297
4	ALUMINUM BRACKET	1	ALM-1023C
5	ESNA NUT	1	SCR-1389
CAT 2250			
6	RECTANGULAR TUBE	1	ALM-1022
CAT 2249			
7	SCREW	1	SCR-1268
8	SCREW	1	SCR-1297
9	ALUMINUM BRACKET	1	ALM-1023T
10	ESNA NUT	1	SCR-1289

CAT 2251

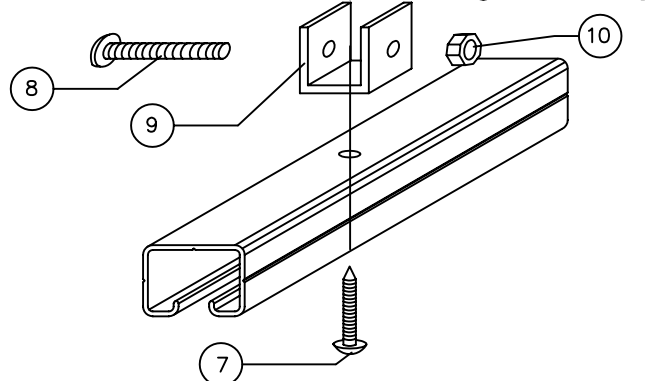


NOT SUPPLIED
NOTE: ATTACHMENT TO CEILING DEPENDS ON CEILING TYPE, AND ARCHITECTURAL, SPECIFICATION

CAT 2250

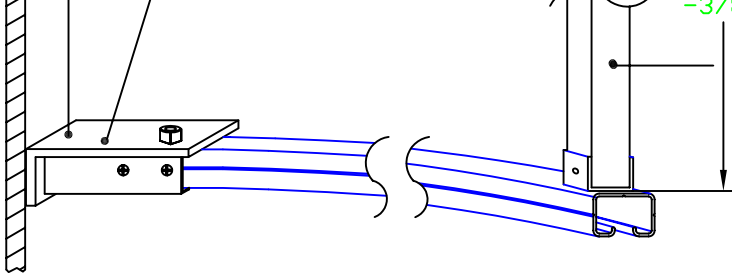


CAT 2249



OPTION 1 MOUNT TO WALL WITH A DROP OUT END STOP DETAIL.

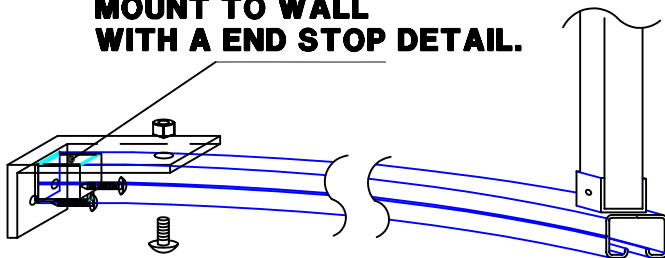
DETAIL



CEILING TO TRACK
-3/8

DETAIL

OPTION 2 MOUNT TO WALL WITH A END STOP DETAIL.



ASSEMBLY

1 ASSEMBLY SEQUENCE MAY VARY DEPENDING ON CEILING TYPE. STANDARD SPACING DEPENDS ON CEILING STRUCTURE, CONSULT WITH ARCHITECTURAL SPECIFICATIONS.