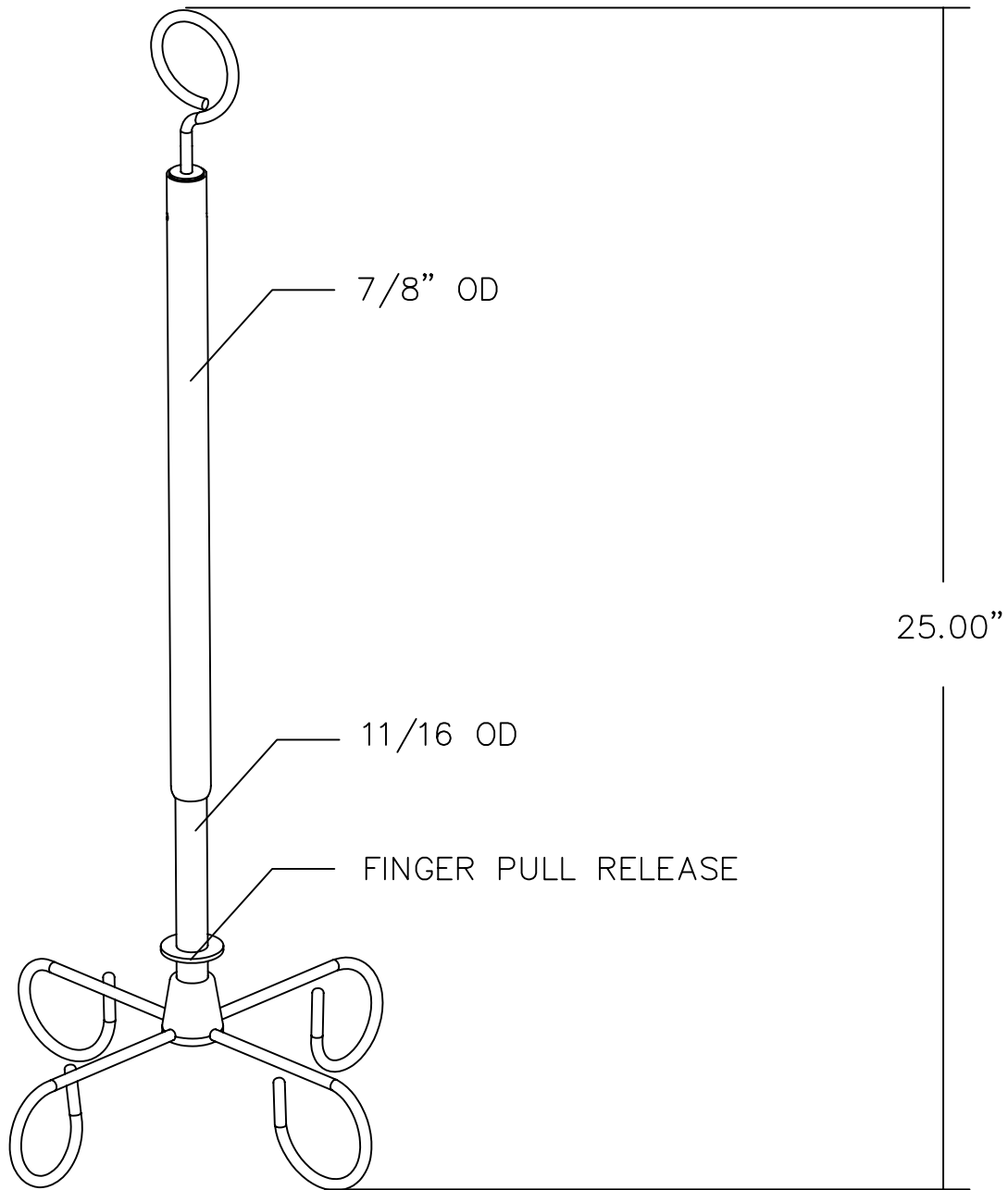




CAT. NO. 2204



ATLAS

STAINLESS STEEL ADJUSTABLE IV HANGER. 4 STAINLESS STEEL HOOKS.
FINGER PULL RELEASE DESIGN WITH QUICK STOP FEATURE.
FULLY EXTENDED 37.00". FULLY COMPRESSED 25.00".